

ESKA

www.eskavalve.com



EMV
SERIES

MECHANICAL ACTUATED SEISMIC VALVE

EMV Series Earthquake Valve is a shut off valve which is activated during seismic oscillation. Activation and non-activation waves are defined in TS 12884 Turkish Standard. This Turkish standard is created based on ANSI Z11 standard in United States. Once mechanical actuation system sense the seismic oscillation, valve will shut the gas off and you should rearm manually in order to reactivated gas flow. This valve basically is a manual reset, normally open gas valve. Main aim to decrease the risk of fire related to gas leakage, in case of earthquake occurs. In countries that this safety system is available, main regulation is done by fire safety department.

TECHNICAL INFORMATION

- Usage : City gas networks and gas pipelines in industrial areas
- Medium : Non-corrosive gases such as Natural Gas (Methane), LPG, Town Gas, Air, etc...
- Montage Position : Vertical
- Position : Normally Open
- Connection or Port Size: 1", 1 1/4", 1 1/2", 2" Threaded (Female) DN65, DN80, DN100 Flanged
- Maximum Working Pressure : 0,5 bar
- Ambient Temperature Range : -23°C up to 51,5°C
- Reset : Manually
- Material Standard : Aluminum-EN 1706 / Brass-EN12164 and EN12165 / Rubber-EN549



EMV 1025

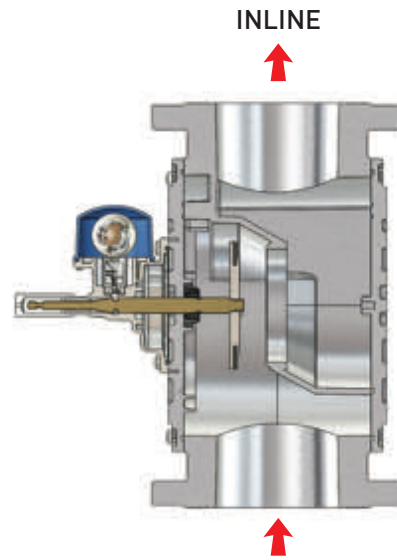
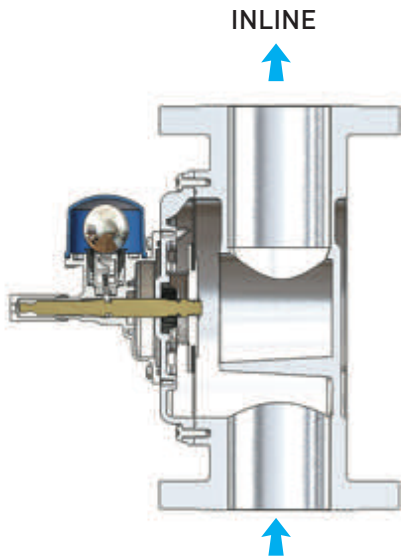
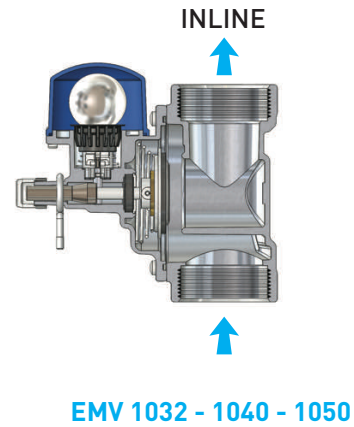
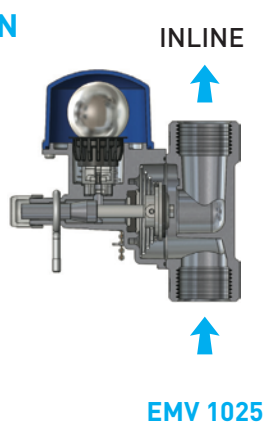


EMV 1032 - 1040 - 1050

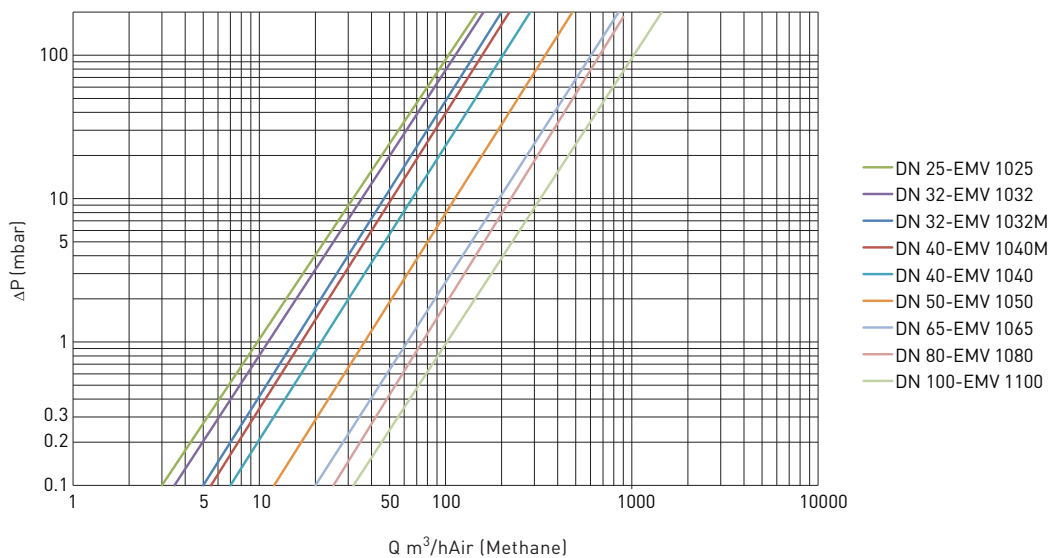


EMV 1065 - 1080 - 1100

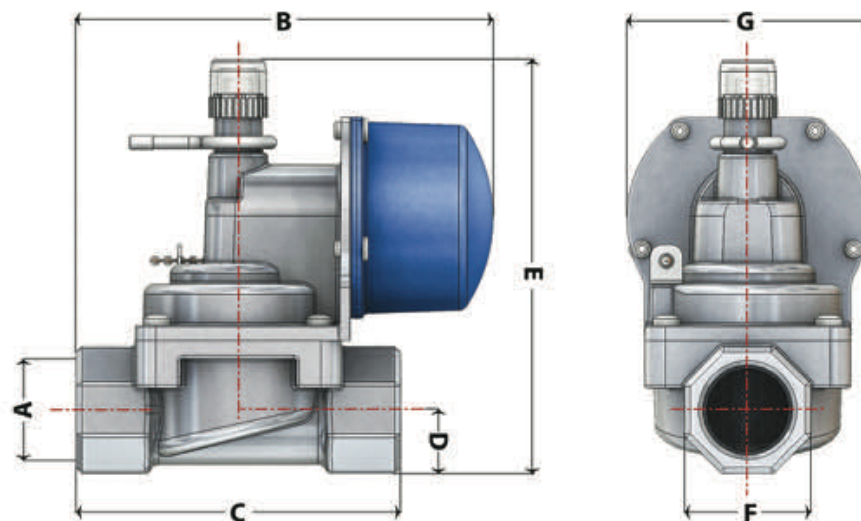
CONFIGURATION



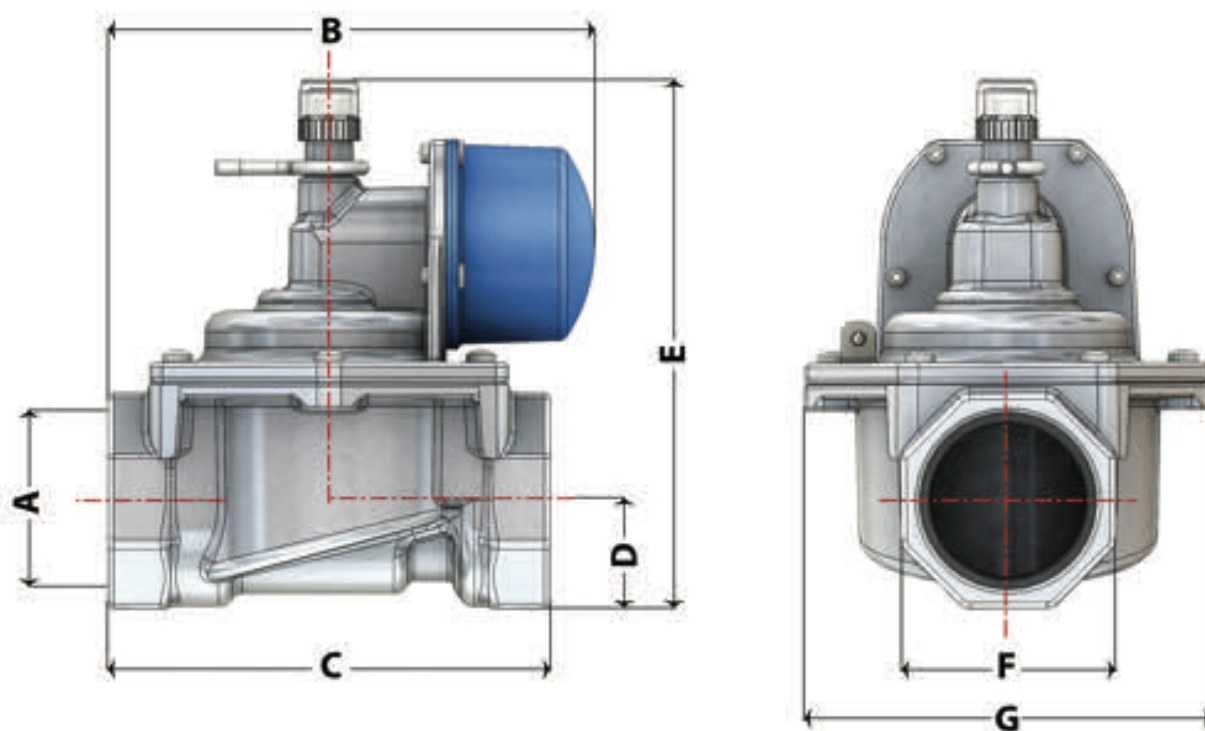
EMV SERIES CAPACITY GRAPH



DIMENSIONS

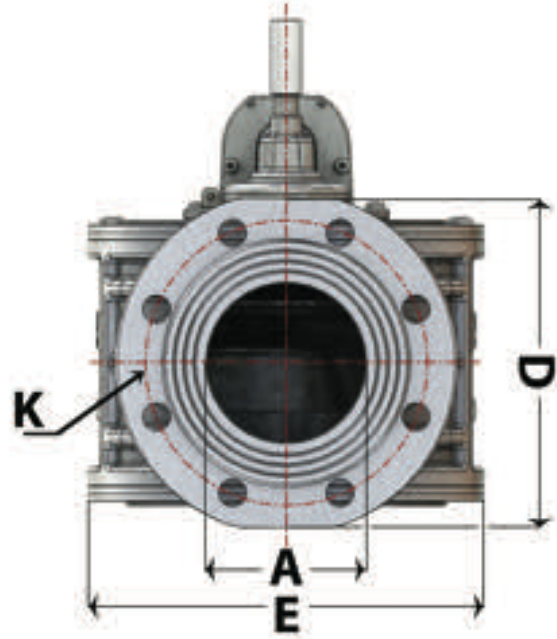
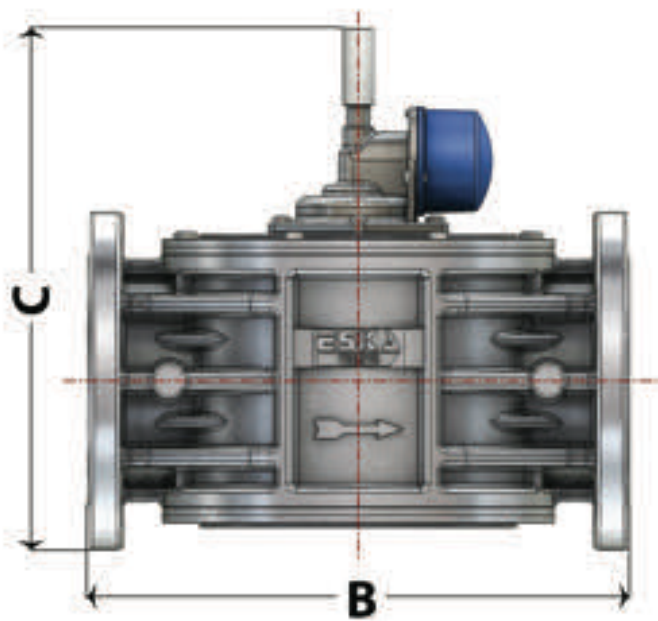
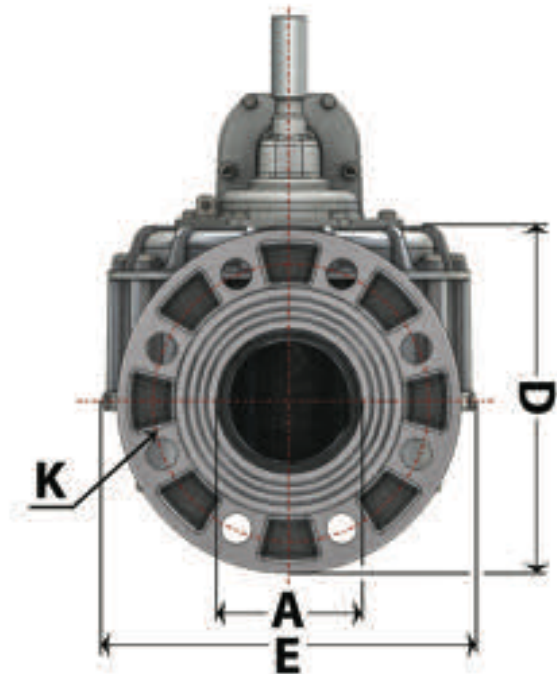
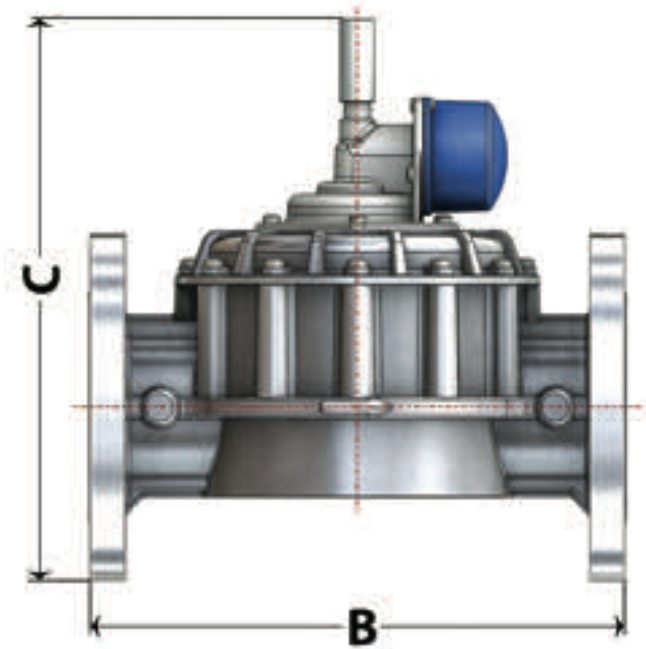


MODEL	DN	A	B	C	D	E	F	G
EMV 1025	25	1"	141	110	21,5	140	AA 43	82



MODEL	DN	A	B	C	D	E	F	G
EMV 1032	32	1 1/4"	158	144	30	165	AA 60	133
EMV 1040	40	1 1/2"	158	144	30	165	AA 60	133
EMV 1050	50	2"	158	144	35	172	AA 70	133

DIMENSIONS



MODEL	DN	A	B	C	D	E	K	Number of holes
EMV 1065	65	70	290	316	195	216	145	4
EMV 1080	80	85	310	324	203	216	160	8
EMV 1100	100	100	326	320	220	254	180	8